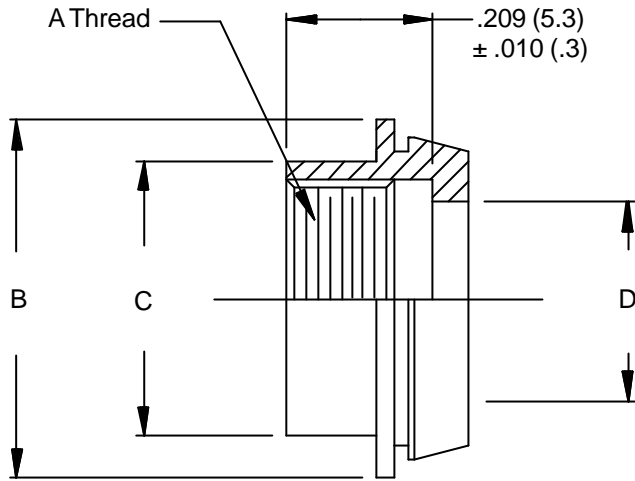


# AS85049/58 Potting Boot Ring

Glenair Connector  
Designator F

MIL-C-38999 Series I & II,  
40M38277, PAN 6433-1,  
PATT 614, PATT 616,  
NFC93422 Series HE308 &  
HE309

**M85049/58-10**  
Basic Part No. \_\_\_\_\_ Dash No. \_\_\_\_\_



**TABLE I**

| Dash No. | Shell Size Ref. | A Thread UNEF-2B | B Dia Max    | C Dia Max    | D Dia ±.005 (.1) |
|----------|-----------------|------------------|--------------|--------------|------------------|
| 8        | 8/9             | .4375 - 28       | .600 (15.2)  | .506 (12.9)  | .344 (8.7)       |
| 10       | 10/11           | .5625 - 24       | .726 (18.4)  | .631 (16.0)  | .472 (12.0)      |
| 12       | 12/13           | .6875 - 24       | .850 (21.6)  | .756 (19.2)  | .586 (14.9)      |
| 14       | 14/15           | .8125 - 20       | .976 (24.8)  | .881 (22.4)  | .711 (18.1)      |
| 16       | 16/17           | .9375 - 20       | 1.102 (28.0) | 1.006 (25.6) | .836 (21.2)      |
| 18       | 18/19           | 1.0625 - 18      | 1.226 (31.1) | 1.131 (28.7) | .942 (23.9)      |
| 20       | 20/21           | 1.1875 - 18      | 1.352 (34.3) | 1.256 (31.9) | 1.067 (27.1)     |
| 22       | 22/23           | 1.3125 - 18      | 1.476 (37.5) | 1.381 (35.1) | 1.192 (30.3)     |
| 24       | 24/25           | 1.4375 - 18      | 1.602 (40.7) | 1.506 (38.3) | 1.317 (33.5)     |

1. For complete dimensions see applicable Military Specification.
2. Metric dimensions (mm) are indicated in parentheses.
3. Finish: 500 Hour Cadmium Olive Drab Over Electroless Nickel.
4. See page 68-12 for M85049/75 potting boot which can be used with this potting ring.