



Series 80 Mighty Mouse Low-Profile BAND-IT® Adapter Ordering Information 440MS134



BAND-IT® Strap
Microband 600-057-1



Installed

Add a boot or overmold for environmental protection

Micro Band Tool
600-061



These low-profile adapters are used with **BAND-IT® micro band** shield termination straps. Choose the smallest cable entry for your wire bundle.

MATERIALS

Adapter	Aluminum Alloy or 300 Series SST
Band	300 Series SST
O-Ring	Silicone Elastomer

HOW TO ORDER

Sample Part Number

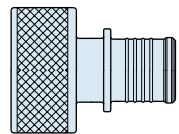
440MS134

NF

12

08

K



440MS134
Straight Entry

- C**
Aluminum / Black Anodize
(Non-Conductive)
RoHS Compliant
- M**
Aluminum / Electroless Nickel
RoHS Compliant
- NF**
Aluminum / Cadmium with Olive
Drab Chromate
- ZN**
Aluminum / Zinc-Nickel with Olive
Drab Chromate
- ZNU**
Aluminum / Zinc-Nickel with Black
Chromate
- MT**
Aluminum / Nickel-PTFE
RoHS Compliant
- Z1**
Stainless Steel / Passivated
RoHS Compliant

Size Code	Thread Size
05	.2500-32
06	.3125-32
11	.3750-32
07	.4375-28
08	.5000-28
09	.5625-24
10	.6250-24
12	.6875-24
13	.7500-20
14	.9375-20
17	1.1875-18

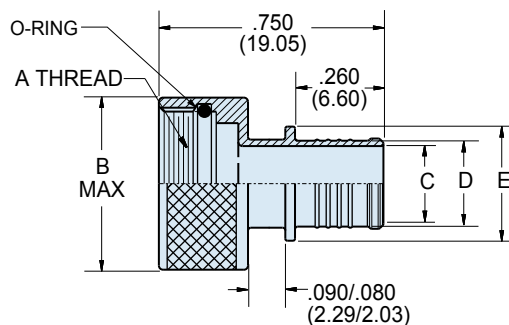
Cable Entry Size

Cable Entry Code	Cable Entry Dia. (In.)	Use With Size Codes
01	.094	05-06, 11
02	.125	05-07, 11
03	.172	05-08, 11
04	.234	06-08
05	.272	07-09
06	.312	07-10
07	.375	08-13
08	.438	09-13
09	.500	10-13
10	.562	12-14, 17
11	.625	14, 17
12	.688	14, 17
13	.750	14, 17
14	.812	14, 17

Omit for no band supplied

K
Adapter is supplied with **BAND-IT®** shield termination band, pre-coiled

Series 80 Mighty Mouse Low-Profile BAND-IT® Adapter Dimensions 440MS134



STRAIGHT ENTRY
DIRECT COUPLING
440MS134

DIMENSIONS

Size Code	A Threads	B Max.	
		In.	mm.
05	.2500-32 UNEF-2B	.350	8.89
06	.3125-32 UNEF-2B	.415	10.54
11	.375-32 UN-2B	.465	11.81
07	.4375-28 UNEF-2B	.530	13.46
08	.5000-28 UNEF-2B	.595	15.11
09	.5625-24 UNEF-2B	.650	16.51
10	.6250-24 UNEF-2B	.715	18.16
12	.6875-24 UNEF-2B	.785	19.94
13	.750-20 UNEF-2B	.830	21.08
14	.9375-20 UNEF-2B	1.020	25.91
17	1.1875-18 UNEF-2B	1.280	32.51

CABLE ENTRY

Cable Entry Code	Ø C		Ø D		Ø E		Use With Size Codes
	In.	mm.	In.	mm.	In.	mm.	
	±.015	±0.38	±.015	±0.38	±.015	±0.38	
01	.094	2.39	.133	3.38	.235	5.97	05-06
02	.125	3.18	.164	4.17	.266	6.76	05-07
03	.172	4.37	.211	5.36	.313	7.95	05-08
04	.234	5.94	.273	6.93	.375	9.53	06-08
05	.272	6.91	.311	7.90	.413	10.49	07-09
06	.312	7.92	.351	8.92	.453	11.51	07-10
07	.375	9.53	.414	10.52	.516	13.11	08-12
08	.438	11.13	.477	12.12	.579	14.71	09-12
09	.500	12.70	.539	13.69	.641	16.28	10-12
10	.562	14.27	.601	15.27	.703	17.88	12-14
11	.625	15.88	.664	16.87	.766	19.46	14
12	.688	17.48	.727	18.47	.829	21.06	14
13	.750	19.05	.789	20.04	.891	22.63	14
14	.812	20.62	.851	21.62	.953	24.21	14

CONNECTOR SHELL SIZES

Size Code	A Threads	Shell Size	
		Series 800, 801, 803, 804	Series 805
05	.2500-32 UNEF-2B	5	—
06	.3125-32 UNEF-2B	6	—
11	.375-32 UNEF-2B	—	8
07	.4375-28 UNEF-2B	7	9
08	.5000-28 UNEF-2B	8	10
09	.5625-24 UNEF-2B	9	11
10	.6250-24 UNEF-2B	10	12
12	.6875-24 UNEF-2B	12, 13	—
13	.750-20 UNEF-2B	—	15
14	.9375-20 UNEF-2B	14, 15, 16, 17	18, 19
17	1.1875-18 UNEF-2B	21	23