

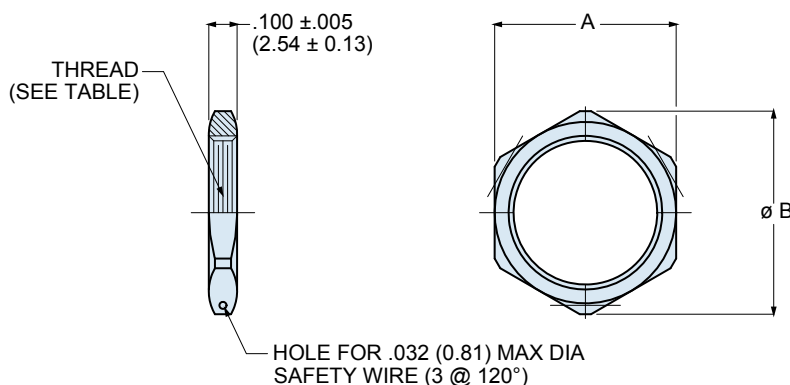


Series 80 Mighty Mouse Backshells and Accessories Hex Nuts 809-035

Hex Jam Nuts for Mighty Mouse Receptacles



Replace low-profile spanner-style jam nuts with hex nuts for applications where jam nuts must be safety-wired to prevent loosening. These hex nuts fit all standard Series 80 jam nut receptacles except for Series 803 bayonet-coupling versions. Use Glenair Modification Code 501 to specify hex nuts to be supplied with connector.



Thread Size Class 2B	Part Number						Dimensions			
	Aluminum				Stainless Steel		A Hex		B Dia.	
	Electroless Nickel	Olive Drab Cadmium	Black Zinc Nickel	Nickel-PTFE	Passivated	Black Zinc- Cobalt	In.	mm.	In.	mm.
.2500-32 UNEF	809-035M01W	809-035NF01W	809-035ZNU01W	809-035MT01W	809-035Z101W	809-035ZC01W	.375	9.53	.403	10.24
.3125-28 UN	809-035M02W	809-035NF02W	809-035ZNU02W	809-035MT02W	809-035Z102W	809-035ZC02W	.4375	11.11	.475	12.07
.3125-32 UNEF	809-035M03W	809-035NF03W	809-035ZNU03W	809-035MT03W	809-035Z103W	809-035ZC03W	.4375	11.11	.475	12.07
.3750-28 UN	809-035M04W	809-035NF04W	809-035ZNU04W	809-035MT04W	809-035Z104W	809-035ZC04W	.500	12.70	.547	13.89
.4375-28 UNEF	809-035M05W	809-035NF05W	809-035ZNU05W	809-035MT05W	809-035Z105W	809-035ZC05W	.5625	14.29	.620	15.75
.5625-24 UNEF	809-035M06W	809-035NF06W	809-035ZNU06W	809-035MT06W	809-035Z106W	809-035ZC06W	.6875	17.46	.755	19.18
.5625-28 UNEF	809-035M16W	809-035NF16W	809-035ZNU16W	809-035MT16W	809-035Z116W	809-035ZC16W	.6875	17.46	.755	19.18
.5625-32 UN	809-035M07W	809-035NF07W	809-035ZNU07W	809-035MT07W	809-035Z107W	809-035ZC07W	.6875	17.46	.755	19.18
.6250-28 UN	809-035M08W	809-035NF08W	809-035ZNU08W	809-035MT08W	809-035Z108W	809-035ZC08W	.750	19.05	.830	21.08
.6875-28 UN	809-035M09W	809-035NF09W	809-035ZNU09W	809-035MT09W	809-035Z109W	809-035ZC09W	.8125	20.64	.898	22.81
.7500-28 UN	809-035M10W	809-035NF10W	809-035ZNU10W	809-035MT10W	809-035Z110W	809-035ZC10W	.875	22.23	.970	24.64
.8125-28 UN	809-035M17W	809-035NF17W	809-035ZNU17W	809-035MT17W	809-035Z117W	809-035ZC17W	.9375	23.81	1.030	26.16
.8750-28 UN	809-035M11W	809-035NF11W	809-035ZNU11W	809-035MT11W	809-035Z111W	809-035ZC11W	1.000	25.40	1.078	27.38
.9375-20 UNEF	809-035M12W	809-035NF12W	809-035ZNU12W	809-035MT12W	809-035Z112W	809-035ZC12W	1.0625	26.99	1.187	30.15
.9375-28 UN	809-035M13W	809-035NF13W	809-035ZNU13W	809-035MT13W	809-035Z113W	809-035ZC13W	1.0625	26.99	1.187	30.15
1.0000-28 UN	809-035M18W	809-035NF18W	809-035ZNU18W	809-035MT18W	809-035Z118W	809-035ZC18W	1.125	28.58	1.200	30.48
1.0625-20 UN	809-035M14W	809-035NF14W	809-035ZNU14W	809-035MT14W	809-035Z114W	809-035ZC14W	1.1875	30.16	1.264	32.11
1.1250-28 UN	809-035M15W	809-035NF15W	809-035ZNU15W	809-035MT15W	809-035Z115W	809-035ZC15W	1.250	31.75	1.325	33.66
1.1875-28 UN	809-035M19W	809-035NF19W	809-035ZNU19W	809-035MT19W	809-035Z119W	809-035ZC19W	1.3125	33.34	1.415	35.94
1.2500-28 UN	809-035M20W	809-035NF20W	809-035ZNU20W	809-035MT20W	809-035Z120W	809-035ZC20W	1.375	34.93	1.490	37.85
1.5000-28 UN	809-035M21W	809-035NF21W	809-035ZNU21W	809-035MT21W	809-035Z121W	809-035ZC21W	1.625	41.28	1.750	44.45