

Series 804 Push-Pull Mighty Mouse Protective Cover Ordering Information

667-202 and 809-198



807-198 Plug Cover

See next page for ordering info

Protect Connectors From Damage – Machined aluminum covers prevent ingress of contamination and water.

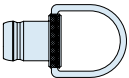
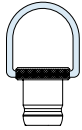
Stainless Steel Fittings and Rings – Choose small diameter eye fittings for panel attachment. Larger rings fit under the jam nut or over cable jackets. Split rings can be installed on fully assembled cables.

Polyurethane-Coated SST Wire Rope offers high strength, excellent abrasion resistance and good flexibility. Or, choose Teflon® jacket for high temperature exposure.

Braided Nylon Rope provides excellent flexibility and good abrasion resistance, and can be ordered with slip knot fittings for easy installation on any size cable.

HOW TO ORDER 667-202 RECEPTACLE COVERS

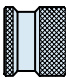
Sample Part Number

667-202	M	9	H	6	-14	R	
Series	Shell Material / Finish	Shell Size	Attachment Type	Attachment Length in Inches	Ring Type and Dia. Code		Pull Ring Option
 <p>667-202 Protective Cover for use with Receptacle Connectors</p>	C Aluminum / Black Anodize (Non-Conductive) RoHS Compliant	5 6 7 8 9 10 12 14	G Nylon Rope	Omit for attachment Type N (No Attachment) Example "-6" equals six inch length	Omit for attachment Types N (No Attachment) and SK (Slip Knot)		Omit for None
	M Aluminum / Electroless Nickel RoHS Compliant		H SST Wire Rope, Teflon® Jacket		Small Ring	-01 – .126 (3.20) I.D. -02 – .145 (3.68) I.D. -04 – .188 (4.78) I.D. -06 – .197 (5.00) I.D.	R Supplied With Pull Ring
	NF Aluminum / Cadmium with Olive Drab Chromate		N No Attachment		Large Ring	-14 – .385 (9.78) I.D. -15 – .445 (11.30) I.D. -16 – .570 (14.48) I.D. -17 – .635 (16.13) I.D. -18 – .695 (17.65) I.D. -19 – .885 (22.48) I.D. -20 – 1.070 (27.17) I.D. -21 – 1.135 (28.83) I.D.	
	ZN Aluminum / Zinc-Nickel with Olive Drab Chromate		S SST Sash Chain		Split Ring	-50 – .420 (10.67) I.D. -52 – .480 (12.19) I.D. -54 – .635 (16.13) I.D. -56 – .745 (18.92) I.D. -58 – .885 (22.48) I.D. -60 – 1.010 (25.65) I.D. -64 – 1.125 (28.58) I.D. -68 – 1.345 (34.16) I.D.	
	ZNU Aluminum / Zinc-Nickel with Black Chromate		SK Nylon Rope With Slip Knot				
	MT Aluminum / Nickel-PTFE RoHS Compliant		T SST Wire Rope, No Jacket				
	Z1 Stainless Steel / Passivated RoHS Compliant		U SST Wire Rope, Polyurethane Jacket				
					"SST" = Stainless Steel		



**Series 804 Push-Pull Mighty Mouse
Protective Cover Ordering Information**
809-198 Plug Covers

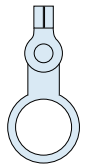
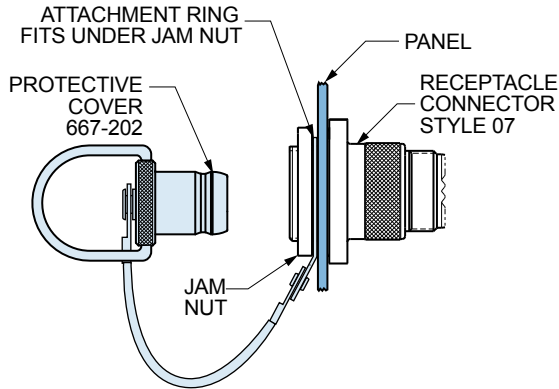
HOW TO ORDER 809-198 PLUG COVERS

Sample Part Number							
809-198	M	12	H	6	-14		
Series	Shell Material / Finish	Shell Size	Attachment Type	Attachment Length in Inches	Ring Type and Dia. Code	Shell Key Position	
 <p>809-198 Protective Cover for use with Plug Connectors</p>	<p>C Aluminum / Black Anodize (Non-Conductive) RoHS Compliant</p>	<p>5 6 7 8 9 10 12 14</p>	<p>G Nylon Rope</p> <p>H SST Wire Rope, Teflon® Jacket</p>	<p>Omit for attachment Type N (No Attachment) Example "-6" equals six inch length</p>	<p>Omit for attachment Types N (No Attachment) and SK (Slip Knot)</p>	<p>Omit for Single Master Key</p> <p>A Pos. A (Normal)</p> <p>B Pos. B</p> <p>C Pos. C</p> <p>D Pos. D</p>	
	<p>M Aluminum / Electroless Nickel RoHS Compliant</p>			<p>N No Attachment</p>			<p>Small Ring</p> <p>-01- .126 (3.20) I.D. -02- .145 (3.68) I.D. -04- .188 (4.78) I.D. -06- .197 (5.00) I.D.</p>
	<p>NF Aluminum / Cadmium with Olive Drab Chromate</p>			<p>S SST Sash Chain</p> <p>SK Nylon Rope With Slip Knot</p>			<p>Large Ring</p> <p>-14- .385 (9.78) I.D. -15- .445 (11.30) I.D. -16- .570 (14.48) I.D. -17- .635 (16.13) I.D. -18- .695 (17.65) I.D. -19- .885 (22.48) I.D. -20- 1.070 (27.17) I.D. -21- 1.135 (28.83) I.D.</p>
	<p>ZN Aluminum / Zinc-Nickel with Olive Drab Chromate</p>			<p>T SST Wire Rope, No Jacket</p>			
	<p>ZNU Aluminum / Zinc-Nickel with Black Chromate</p>			<p>U SST Wire Rope, Polyurethane Jacket</p>			<p>Split Ring</p> <p>-50- .420 (10.67) I.D. -52- .480 (12.19) I.D. -54- .635 (16.13) I.D. -56- .745 (18.92) I.D. -58- .885 (22.48) I.D. -60- 1.010 (25.65) I.D. -64- 1.125 (28.58) I.D. -68- 1.345 (34.16) I.D.</p>
	<p>MT Aluminum / Nickel-PTFE RoHS Compliant</p>			<p>"SST" = Stainless Steel</p>			
	<p>Z1 Stainless Steel / Passivated RoHS Compliant</p>						

Series 804 Push-Pull Mighty Mouse Protective Receptacle Cover Information 667-202



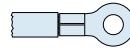
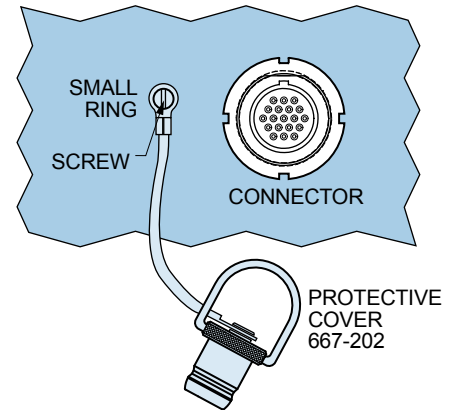
Attaching a 667-202 Receptacle Cover to a Rear Panel Mounted Jam Nut Receptacle



Solid Ring

Dia. Code	Shell Size	Ring I.D.		Ring O.D.	
		In.	mm.	In.	mm.
15	5	±.010	±0.25	±.015	± 0.38
16	6, 7, 8	.445	11.30	.565	14.35
18	9	.570	14.48	.685	17.40
19	10, 12	.695	17.65	.820	20.82
20	14	.885	22.48	1.010	25.65
		1.070	27.17	1.195	30.35

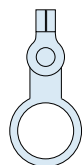
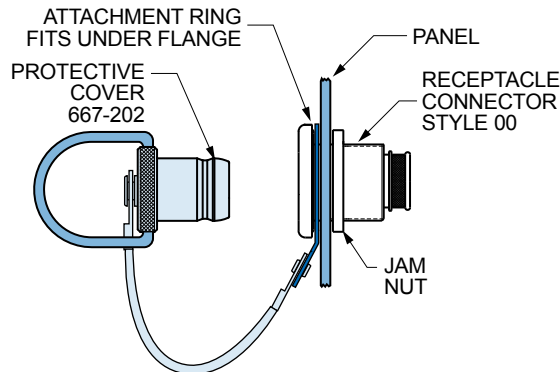
Attaching a 667-202 Receptacle Cover to a Panel With a Screw



Small Ring for Attaching Receptacle Covers to a Panel with a Screw

Dia. Code	Screw Size	Ring I.D.		Ring O.D.	
		In.	mm.	In.	mm.
01	#4, M3	±.005	±0.13	Max.	Max.
02	#6	.126	3.20	.31	7.9
04	#8, M4	.145	3.68	.31	7.9
06	#10	.188	4.78	.31	7.9
		.197	5.00	.31	7.9

Attaching a 667-202 Receptacle Cover to a Front Panel Mounted Jam Nut Receptacle



Solid Ring

Dia. Code	Shell Size	Ring I.D.		Ring O.D.	
		In.	mm.	In.	mm.
16	5, 6	±.010	±0.25	±.015	± 0.38
18	7, 8	.570	14.48	.685	17.40
19	9, 10	.695	17.65	.820	20.82
20	12	.885	22.48	1.010	25.65
21	14	1.070	27.17	1.195	30.35
		1.135	28.83	1.250	31.75

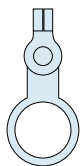
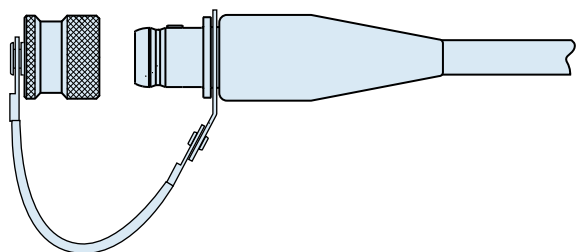


Series 804 Push-Pull Mighty Mouse Protective Plug Cover Information

809-198 and 667-202

Attaching a Cover to a Cable Assembly With a Solid Ring

Install cover onto the back of the connector before overmolding or backshell installation.

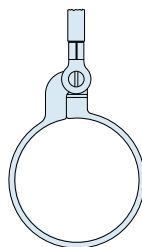
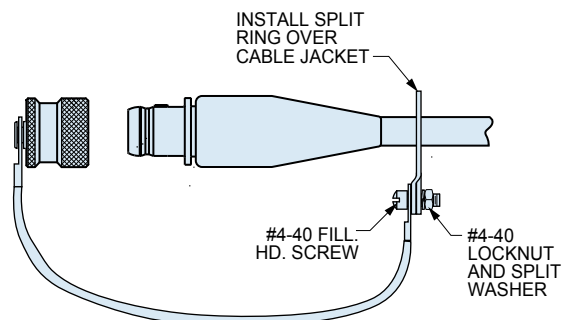


Solid Ring

Dia. Code	Shell Size	Ring I.D.		Ring O.D.	
		In.	mm.	In.	mm.
14	5,6	±.010	±0.25	±.015	± 0.38
15	7	.385	9.78	.510	12.95
16	8, 9	.445	11.30	.565	14.35
18	10, 12	.570	14.48	.685	17.40
20	14	.695	17.65	.820	20.82
		1.070	27.17	1.195	30.35

Attaching a Cover to a Cable Using a Split Ring or Slip Knot

Split rings can be installed onto finished cables.



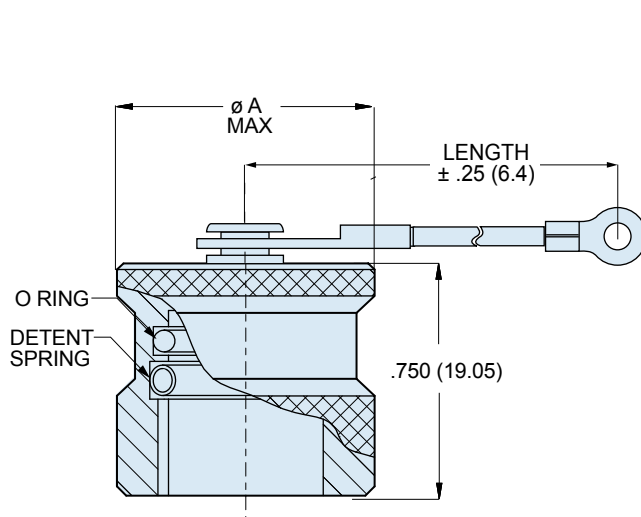
Large Split Ring for Attaching Covers to Cables

Dia. Code	Max. Cable Dia. (in.)	Ring Diameter			
		Min. ID		Max. OD	
		In.	mm.	In.	mm.
50	.410	.420	10.67	.580	14.73
52	.470	.480	12.19	.640	16.26
54	.625	.635	16.13	.796	20.22
56	.735	.745	18.92	.905	22.99
58	.875	.885	22.48	1.046	26.57
60	1.000	1.010	25.65	1.171	29.74
64	1.115	1.125	28.58	1.285	32.64
68	1.335	1.345	34.16	1.505	38.23

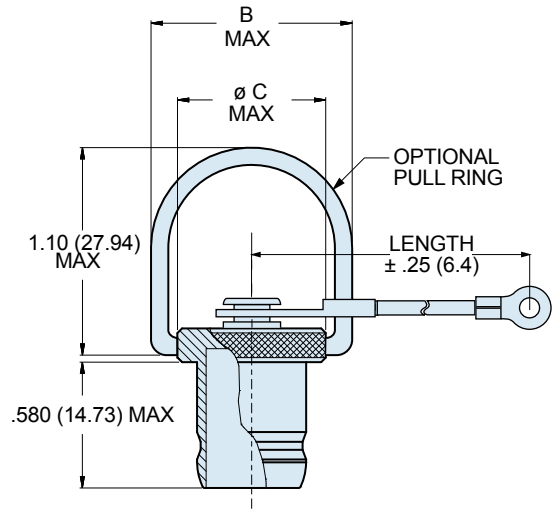
Series 804 Push-Pull Mighty Mouse Protective Plug and Receptacle Cover Dimensions 809-198 and 667-202



Series 804



809-198 Plug Cover








667-202 Receptacle Cover

Shell Size	Ø A Max.		Ø B Max.		Ø C Max.	
	In	mm	In	mm	In	mm
5	.496	12.60	.740	18.80	.490	12.45
6	.540	13.72	.740	18.80	.490	12.45
7	.645	16.38	.820	20.83	.570	14.48
8	.665	16.89	.870	22.10	.619	15.72
9	.720	18.29	.920	23.37	.670	17.02
10	.790	20.07	1.030	26.16	.783	19.89
12	.915	23.24	1.110	28.19	.860	21.84
14	1.040	26.42	1.230	31.24	.980	24.89

MATERIALS AND FINISHES

Cover	Aluminum alloy or stainless steel
O-ring	Fluorosilicone rubber
Wire, Hardware	Stainless steel, passivated

LANYARD OPTIONS

 Nylon Rope	-55° to +100°C., black, very flexible, very good abrasion resistance, good resistance to fuels, .120" (3mm) diameter
 Polyurethane Coated Wire Rope	Black polyurethane over stainless steel rope, -55° to +125°C., very flexible, excellent abrasion resistance, excellent resistance to fuels, .080" (2mm) diameter
 Teflon® Jacketed Wire Rope	Translucent FEP jacket over stainless steel, -55° to +200°C., fair flexibility, good abrasion resistance, .100" diameter
 Sash Chain	Stainless steel, #8 chain, .240" (6mm)
 Slip Knot (SK) for Attaching Covers to Cable	55° to +100°C., black, very flexible, very good abrasion resistance, good resistance to fuels, .120" (3mm) diameter. Length includes .5" (13mm) diameter loop.

G