

Series 802 "Aqua Mouse" 3500 PSI Rated



Series 802 Receptacles for PCB or Solder Cup



**Square Flange Receptacle
with 4 #16 PCB Contacts
(Layout 9-4)**

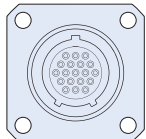
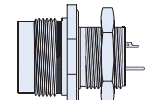
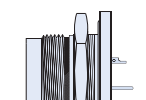
Series 802 PCB/Solder Receptacles feature gold-plated tails for solder termination to rigid or flexible circuits or solder cups for attaching wire. Contacts are non-removable.

Epoxy Sealed to prevent water ingress in "open face" condition. Viton® o-ring provides sealing to 3500 PSI hydrostatic pressure when mated. Open face (unmated) pressure rating is 1 meter immersion for one hour.

316 series **Stainless Steel Shells** and **Viton® O-rings** for excellent performance in corrosive environments.

Three Shell Styles: jam nut with o-ring for rear panel mounting, jam nut with o-ring for front panel mounting, or square flange for front panel mounting.

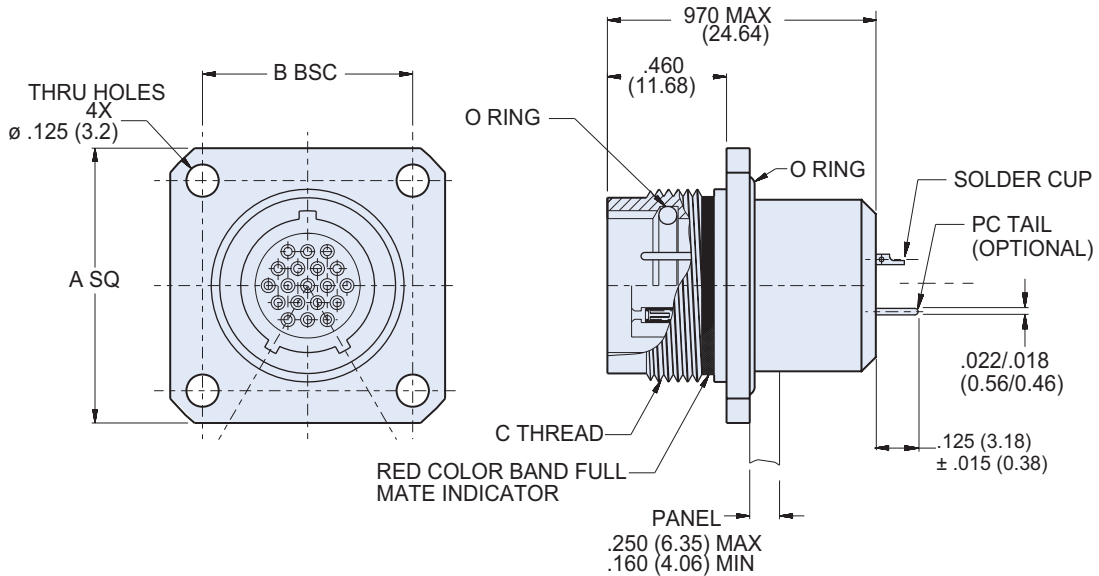
HOW TO ORDER SERIES 802 PCB / SOLDER CUP RECEPTACLES

Sample Part Number					
802-012	-00	Z1	6-1	P	A
Series	Shell Style	Shell Material / Finish	Shell Size- Insert Arrangement	Contact Type	Shell Key Position
802-012 Receptacle with Solder Cup or PCB Contacts	 -02 Square Flange	Z1 Stainless Steel / Passivated ZM Stainless Steel / Electroless Nickel Plated	5-3 3 #23 Contacts 6-1 1 #16 Contact 6-4 4 #23 Contacts 6-7 7 #23 Contacts 7-1 1 #12 Contact 7-10 10 #23 Contacts 8-13 13 #23 Contacts 9-4 4 #16 Contacts 9-19 19 #23 Contacts 10-26 26 #23 Contacts 12-2 2 #12 Contacts 12-37 37 #23 Contacts 14-55 55 #23 Contacts 15-85 85 #23 Contacts	P Pin, PC Tail S Socket, PC Tail E Pin, Solder Cup F Socket, Solder Cup	A Normal B Pos. B C Pos. C D Pos. D
			 -00 Jam Nut for Front Panel Mounting	 -07 Jam Nut for Rear Panel Mounting	



Series 802 "Aqua Mouse" 3500 PSI Rated

802-012-02 Square Flange Receptacles for PCB or Solder Cup

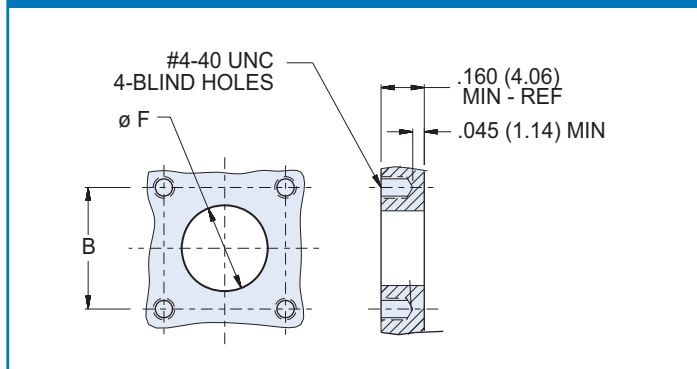


DIMENSIONS							
Shell Size	A Square		B Bsc.		C Mating Threads	Ø F	
	In.	mm.	In.	mm.		In.	mm.
5	.885	22.48	.500	12.70	.438-28 UNEF	.327	8.31
6	1.010	25.65	.625	15.88	.562-20 UN	.390	9.91
7	1.072	27.23	.688	17.48	.625-20 UN	.515	13.08
8	1.135	28.83	.750	19.05	.687-20 UN	.577	14.66
9	1.195	30.35	.812	20.62	.750-20 UNEF	.640	16.26
10	1.260	32.00	.875	22.23	.812-20 UNEF	.702	17.83
12	1.322	33.58	.938	23.83	.875-20 UNEF	.765	19.43
14	1.510	38.25	1.125	28.58	1.062-20 UN	.953	24.21
15	1.572	39.93	1.188	30.18	1.125-20 UN	1.015	25.78

SERIES 802 RECEPTACLE KEY POSITIONS

Key Position	Key Rotation		Diagram
	A°	B°	
Normal (A)	150°	210°	
B	75°	210°	
C	95°	230°	
D	140°	275°	

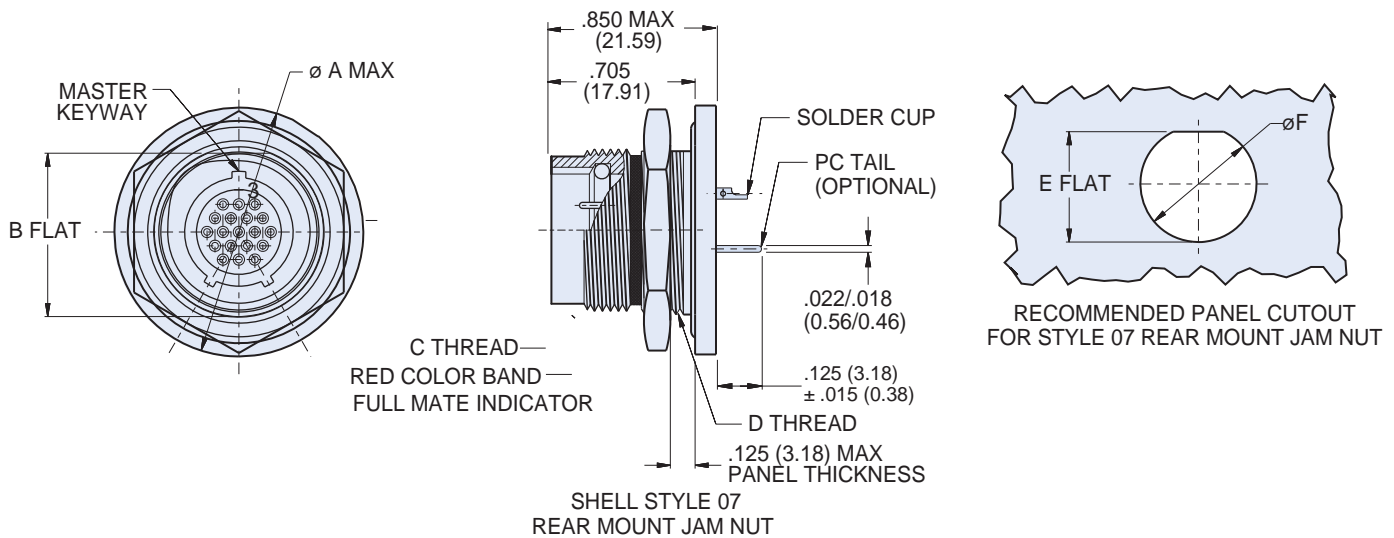
SERIES 802 SQ FLANGE PANEL CUTOUT



Series 802 "Aqua Mouse" 3500 PSI Rated



802-012-07 Jam Nut Receptacles for PCB or Solder Cup



DIMENSIONS

Shell Size	A Max.		B Flat		C Mating Threads	D Threads	E Flat		Ø F	
	In.	mm.	In. ± .003	mm. ±0.08			In. ± .003	mm. ±0.08	In.	mm.
5	.885	22.48	.466	11.84	.438-28 UNEF	.500-32 UN-2A	.477	12.12	.510	12.95
6	1.010	25.65	.591	15.01	.562-20 UN	.625-28 UN-2A	.602	15.29	.635	16.13
7	1.072	27.23	.653	16.59	.625-20 UN	.687-28 UN-2A	.664	16.87	.697	17.70
8	1.135	28.83	.716	18.19	.687-20 UN	.750-28 UN-2A	.727	18.47	.760	19.30
9	1.195	30.35	.778	19.76	.750-20 UNEF	.812-28 UN-2A	.789	20.04	.822	20.88
10	1.260	32.00	.827	21.01	.812-20 UNEF	.875-28 UN-2A	.838	21.29	.885	22.48
12	1.322	33.58	.890	22.61	.875-20 UNEF	.938-28 UN-2A	.901	22.89	.948	24.08
14	1.510	38.25	1.077	27.36	1.062-20 UN	1.125-28 UN-2A	1.088	27.64	1.135	28.83
15	1.572	39.93	1.140	28.96	1.125-20 UN	1.188-28 UN-2A	1.151	29.24	1.198	30.43

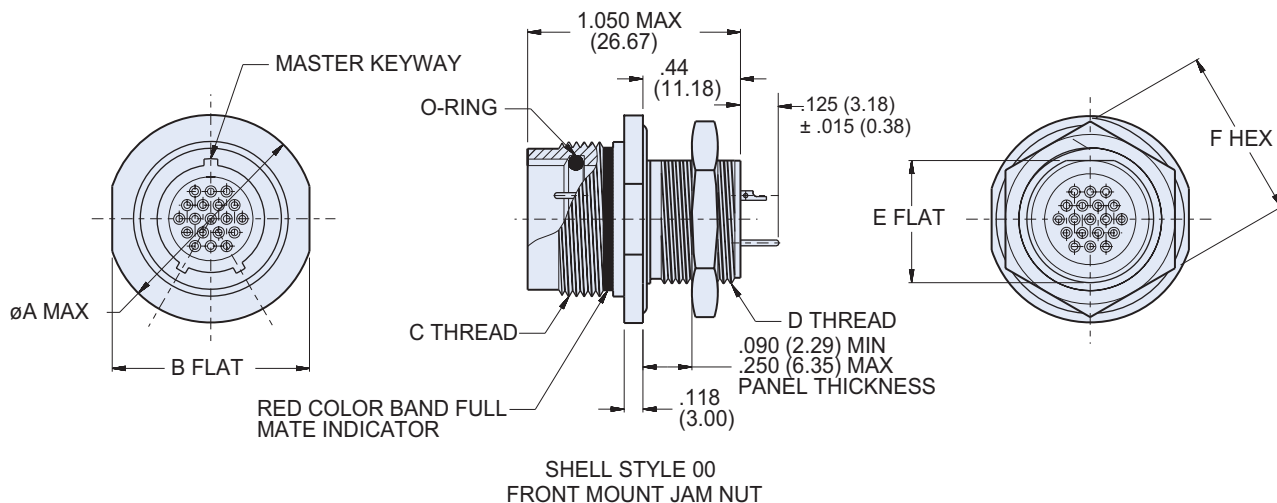
SERIES 802 RECEPTACLE KEY POSITIONS

Key Position	Key Rotation		Diagram
	A°	B°	
Normal (A)	150°	210°	
B	75°	210°	
C	95°	230°	
D	140°	275°	



Series 802 "Aqua Mouse" 3500 PSI Rated

802-012-00 Jam Nut Receptacles for PCB or Solder Cup

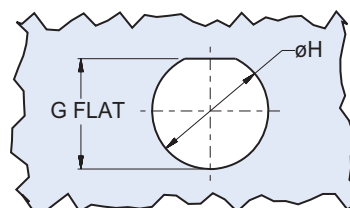


DIMENSIONS

Shell Size	A Max.		B Flat		C Mating Threads	D Threads	E Flat		F Hex		G Flat		Ø H	
	In.	mm.	In.	mm.			In.	mm.	In.	mm.	In.	mm.	In.	mm.
5	.720	18.29	.625	15.88	.438-28 UNEF-2A	.312-28 UN-2A	.281	7.14	.500	12.70	.289	7.34	.322	8.18
6	.780	19.81	.750	19.05	.562-20 UN-2A	.438-28 UN-2A	.344	8.74	.625	15.88	.414	10.52	.448	11.38
7	.910	23.11	.812	20.62	.625-20 UN-2A	.500-32 UN-2A	.469	11.91	.688	17.48	.477	12.12	.510	12.95
8	.960	24.38	.875	22.23	.687-20 UN-2A	.562-28 UN-2A	.531	13.49	.750	19.05	.539	13.69	.572	14.53
9	1.030	26.16	.937	23.80	.750-20 UNEF-2A	.625-28 UN-2A	.594	15.09	.812	20.62	.602	15.29	.635	16.13
10	1.090	27.69	1.000	25.40	.812-20 UNEF-2A	.687-28 UN-2A	.656	16.66	.875	22.23	.664	16.87	.697	17.70
12	1.160	29.46	1.062	26.97	.875-20 UNEF-2A	.750-28 UN-2A	.719	18.26	.938	23.83	.727	18.47	.760	19.30
14	1.340	34.04	1.250	31.75	1.062-20 UN-2A	.938-28 UN-2A	.893	22.68	1.125	28.58	.901	22.89	.948	24.08
15	1.410	35.18	1.312	33.32	1.125-20 UN-2A	1.000-28 UN-2A	.955	24.26	1.188	30.18	.963	24.46	1.010	25.65

SERIES 802 RECEPTACLE KEY POSITIONS

Key Position	Key Rotation		Diagram
	A°	B°	
Normal (A)	150°	210°	
B	75°	210°	
C	95°	230°	
D	140°	275°	



RECOMMENDED PANEL CUTOUT
FOR STYLE 00 FRONT MOUNT JAM NUT