



## Series 802 "Aqua Mouse" 3500 PSI Rated

### Series 802 Protective Covers



Receptacle Cover

#### Protect Connectors From

**Damage** – These covers prevent ingress of contamination and water. Stainless steel plug covers feature Viton® o-rings for 3500 PSI sealing. Receptacle covers have a Viton® gasket and are made from nickel-aluminum-bronze alloy to minimize galling.

#### Three Types of Attachment Rings

– Choose small diameter eye fittings for panel attachment. Larger rings fit under the jam nut or over cable jackets. Split rings can be installed on fully assembled cables.

#### Polyurethane-Coated SST Wire

**Rope** offers high strength, excellent abrasion resistance and good flexibility. Or, choose Teflon® jacket for high temperature exposure.

**Braided Nylon Rope** provides excellent flexibility and good abrasion resistance, and can be ordered with slip knot fittings for easy installation on any size cable.

### HOW TO ORDER SERIES 800 PROTECTIVE COVERS

#### Sample Part Number

660-087

-9

G

04

-6

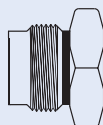
Series

Shell Size

Attachment Type

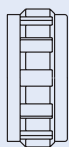
Attachment Code

Attachment Length  
in Inches



660-087

Protective Cover for  
use with Series 802  
Plugs



660-088

Protective Cover for  
use with Series 802  
Receptacles

-5

-6

-7

-8

-9

-10

-12

-14

-15

G

Nylon Rope

H

SST Wire Rope, Teflon®  
Jacket

N

No Attachment

S

SST Sash Chain

SK

Nylon Rope With Slip  
Knot

T

SST Wire Rope, No  
Jacket

U

SST Wire Rope,  
Polyurethane Jacket

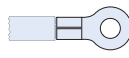
"SST" = Stainless Steel

Omit for attachment Types N (No Attachment) and  
SK (Slip Knot)

Omit for attachment Type  
N (No Attachment)

Example

"-6" equals six inch length



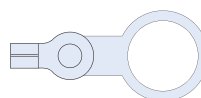
Small Ring

01 – .126 (3.20) I.D.

02 – .145 (3.68) I.D.

04 – .188 (4.78) I.D.

06 – .197 (5.00) I.D.



Large Ring

14 – .385 (9.78) I.D.

15 – .445 (11.30) I.D.

16 – .570 (14.48) I.D.

17 – .635 (16.13) I.D.

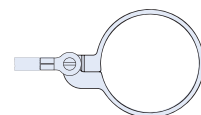
18 – .695 (17.65) I.D.

19 – .885 (22.48) I.D.

20 – 1.070 (27.17) I.D.

21 – 1.135 (28.83) I.D.

22 – 1.210 (30.73) I.D.



Split Ring

50 – .420 (10.67) I.D.

52 – .480 (12.19) I.D.

54 – .635 (16.13) I.D.

56 – .745 (18.92) I.D.

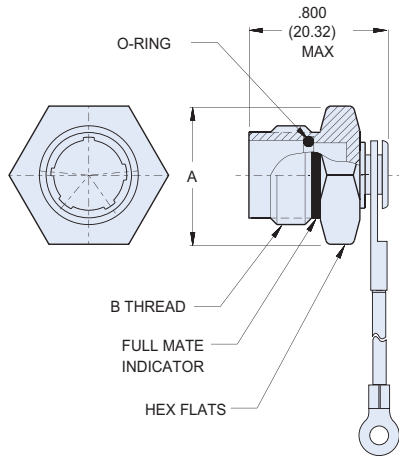
58 – .885 (22.48) I.D.

60 – 1.010 (25.65) I.D.

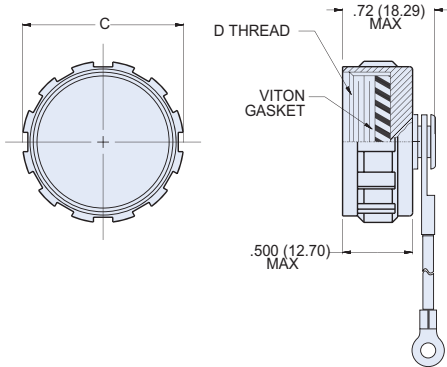
64 – 1.125 (28.58) I.D.

68 – 1.345 (34.16) I.D.

# Series 802 "Aqua Mouse" 3500 PSI Rated



**660-087 Plug Cover**



**660-088 Receptacle Cover**

### 660-087 & -088 DIMENSIONS

Shell Size	A Flats		B	C Max.		D
	In.	mm.		In.	mm.	
5	.500	12.70	.438-28 UNEF-2A	.590	14.99	.438-28 UNEF-2B
6	.625	15.88	.562-20 UN-2A	.720	18.29	.562-20 UN-2B
7	.688	17.48	.625-20 UN-2A	.780	19.81	.625-20 UN-2B
8	.750	19.05	.687-20 UN-2A	.840	21.34	.687-20 UN-2B
9	.812	20.62	.750-20 UNEF-2A	.900	22.86	.750-20 UNEF-2B
10	.875	22.23	.812-20 UNEF-2A	.970	24.89	.812-20 UNEF-2B
12	.938	23.83	.875-20 UNEF-2A	1.030	26.16	.875-20 UNEF-2B
14	1.125	28.58	1.062-20 UN-2A	1.220	30.99	1.062-20 UN-2B
15	1.188	30.18	1.125-20 UN-2A	1.280	32.51	1.125-20 UN-2B

### MATERIALS AND FINISHES

Plug Cover	Nickel-Aluminum-Bronze, unplated
Receptacle Cover	Stainless steel, passivated
O-Ring	Viton rubber
Gasket	Viton rubber
Wire,Hardware	Stainless steel, passivated

### ATTACHMENT OPTIONS

Dia. Code	Screw Size	Ring I.D.		Ring O.D.	
		In.	mm.	In.	mm.
<b>01</b>	#4, M3	±.005	±0.13	Max.	Max.
<b>02</b>	#6	.126	3.20	.31	7.9
<b>04</b>	#8, M4	.145	3.68	.31	7.9
<b>06</b>	#10	.188	4.78	.31	7.9
		.197	5.00	.31	7.9

Dia. Code	Style 07 Jam Nut Shell Size	Style 00 Jam Nut Shell Size	Ring I.D.		Ring O.D.	
			In.	mm.	In.	mm.
<b>14</b>		5,6	±.005	±0.13	Max.	Max.
<b>16</b>	5	7,8	.385	9.78	.510	12.95
<b>17</b>	6	9	.570	14.48	.685	17.40
<b>18</b>	7	10	.635	16.13	.760	19.30
<b>19</b>	8,9,10	12	.695	17.65	.820	20.82
<b>20</b>	12	14,15	.885	22.48	1.010	25.65
<b>21</b>	14		1.070	27.17	1.195	30.35
<b>22</b>	15		1.135	28.83	1.270	32.26
			1.210	30.73	1.312	33.32

Dia. Code	Max. Cable Dia.	Min. ID		Max. OD	
		In.	mm.	In.	mm.
<b>50</b>	.410	.420	10.67	.510	12.95
<b>52</b>	.470	.480	12.19	.570	14.48
<b>54</b>	.625	.635	16.13	.726	18.44
<b>56</b>	.735	.745	18.92	.835	21.21
<b>58</b>	.875	.885	22.48	.976	24.79
<b>60</b>	1.000	1.010	25.65	1.101	27.97
<b>64</b>	1.115	1.125	28.58	1.215	30.86
<b>68</b>	1.335	1.345	34.16	1.435	36.45

**Slip Knot (SK) for Attaching Covers to Cable**

-55° to +100°C., black, very flexible, very good abrasion resistance, good resistance to fuels, .120" (3mm) diameter. Length includes .5" (13mm) diameter loop.

### LANYARD OPTIONS

**Nylon Rope**

-55° to +100°C., black, very flexible, very good abrasion resistance, good resistance to fuels, .120" (3mm) diameter

**Polyurethane Coated Wire Rope**

Black polyurethane over stainless steel rope, -55° to +125°C., very flexible, excellent abrasion resistance, excellent resistance to fuels, .080" (2mm) diameter

**Teflon Jacketed Wire Rope**

Translucent FEP jacket over stainless steel rope, -55° to +200°C., fair flexibility, good abrasion resistance, .100" diameter

**Sash Chain**

Stainless steel, #8 chain, .240" (6mm)