



# Series 801 "Mighty Mouse" Double-Start ACME Thread

## Series 801 Plug Connectors



**Series 801 Plug Connector**

**Double-Start ACME Threads** resist cross-threading and shearing. These aerospace-grade Series 801 plugs feature 1½ turns of the coupling nut to full mating.

**Two Shell Styles:** Integral platform for direct shield attachment using **BAND-IT**® termination system, or accessory thread for attaching a strain relief.

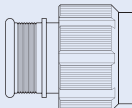
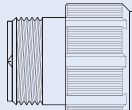
**Crimp, Rear Release** contact system, now with #12 and #16 M39029 coaxial or power contacts.

**Harsh Environment:** fluorosilicone seals, aluminum or stainless steel shells, and gold-plated beryllium copper contacts for superior performance in demanding applications.

### HOW TO ORDER

#### Sample Part Number

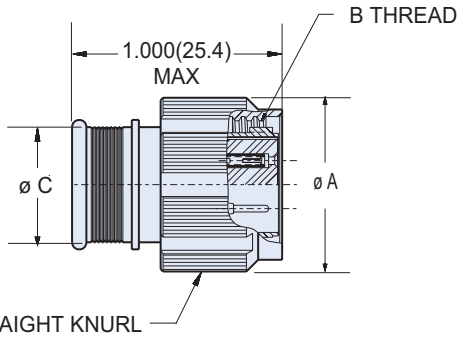
**801-007      -16      M      7-10      P      A**

Series	Shell Style	Shell Material / Finish	Shell Size- Insert Arrangement	Contact Type	Shell Key Position
 <b>801-007</b> Banding Platform	<b>-16</b> Plug with Anti-Decoupling Spring	<b>C</b> Aluminum / Black Anodize	<b>5-3</b> 3 #23 <b>6-1</b> 1 #16 <b>6-4</b> 4 #23 <b>6-7</b> 7 #23 <b>7-1</b> 1 #12	Standard #23 contacts accept #22 through #28 AWG wire. Use the following contact codes to specify these contacts:  <b>P</b> Pin  <b>S</b> Socket	<b>A</b> Normal  Alternate Key Positions: <b>B</b> <b>C</b> <b>D</b>
		<b>M</b> Aluminum / Electroless Nickel	<b>7-10</b> 10 #23 <b>8-13</b> 13 #23 <b>9-4</b> 4 #16 <b>9-19</b> 19 #23 <b>10-26</b> 26 #23 <b>13-2</b> 2 #12 <b>13-37</b> 37 #23 <b>16-55</b> 55 #23 <b>17-85</b> 85 #23		
 <b>801-008</b> Rear Accessory Thread		<b>NF</b> Aluminum / Cadmium with Olive Drab Chromate	#23 contacts are packaged with connectors. #16 and #12 contacts must be ordered separately.	<b>G</b> Pin  <b>H</b> Socket	
		<b>ZN</b> Aluminum / Zinc-Nickel with Olive Drab Chromate			
		<b>ZNU</b> Aluminum / Zinc-Nickel with Black Chromate			
		<b>Z1</b> Stainless Steel / Passivated			

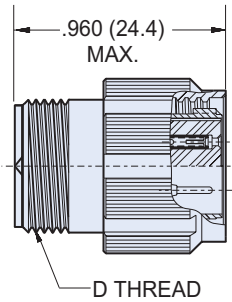
# Series 801 "Mighty Mouse" Double-Start ACME Thread



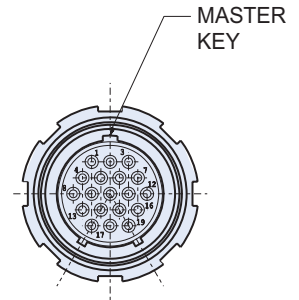
## Series 801 Cable Plug Connectors



**Integral Band Platform**  
801-007



**Accessory Thread**  
801-008



### DIMENSIONS

Shell Size	Ø A		B Thread	Ø C		D Thread UNEF-2A
	In.	mm.		In.	mm.	
5	.540	13.72	.3125-.05P-1L-2B	.245	6.22	.250-32
6	.600	15.24	.375-.05P-1L-2B	.290	7.37	.3125-32
7	.680	17.27	.4375-.05P-1L-2B	.390	9.91	.4375-28
8	.750	19.05	.5000-.05-.1L-2B	.445	11.30	.5000-28
9	.810	20.57	.5625-.05P-.1L-2B	.500	12.70	.5625-24
10	.880	22.35	.6250-.05P-1L-2B	.560	14.22	.6250-24
13	1.050	26.67	.8125-.1P-.2L-2B	.650	16.51	.6875-24
16	1.240	31.50	1.000-.1P-.2L-2B	.805	20.45	.9375-20
17	1.300	33.02	1.062-.1P-.2L-2B	.850	21.59	.9375-20

### PLUG KEY POSITIONS

	A°	B°	
A	150°	210°	
B	75°	210°	
C	95°	230°	
D	140°	275°	