

Series 800 "Mighty Mouse" with UN Mating Thread Hermetic Receptacles 800-013



Series 800 Hermetic

Series 800 Hermetic Receptacles feature 304L stainless steel shells, fused vitreous glass insulators and Alloy 52 iron alloy contacts.

Solder Cup Contacts for wire attachment, or **PC Tail Contacts** for attachment to flexible or rigid circuits.

1 X 10⁻⁶ cc/second maximum helium leak rate.

Three Shell Styles: solder mount, jam nut or square flange.

HOW TO ORDER

Sample Part Number

800-013

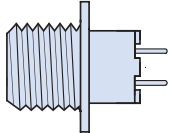
-07

Z1

7-10

P

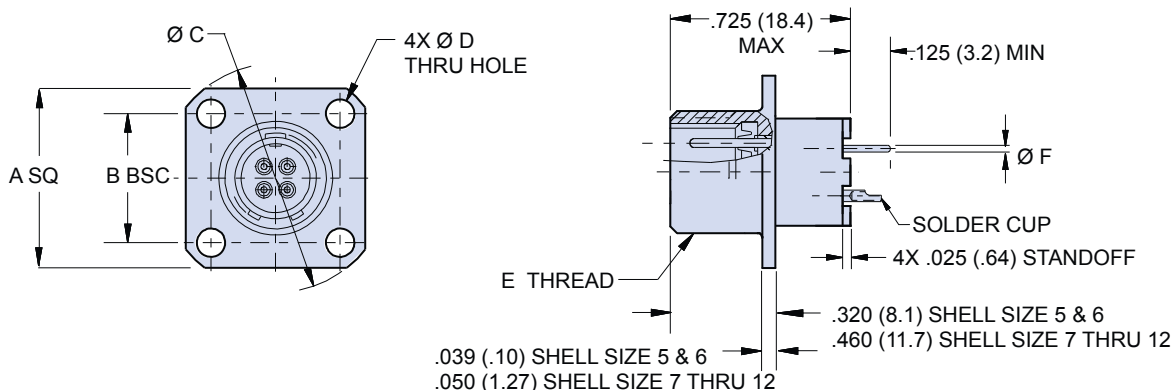
Z

Series	Shell Style	Shell Material / Finish	Shell Size- Insert Arrangement	Contact Type	Shell Key Position			
800-013 Hermetic Receptacle	 -02 Square Flange	<p>Z1 Stainless Steel / Passivated</p> <p>ZL Stainless Steel / Nickel Plated</p>	No. of Contacts				<p>P Pin, Solder Cup</p> <p>C Pin, PC Tail</p>	<p>N Normal</p> <p>X Pos. X</p> <p>Y Pos. Y</p> <p>Z Pos. Z</p>
			Arr.	#23	#20	#16		
	5-3		3					
	6-1				1			
	6-4		4					
	6-7		7					
	7-1					1		
	7-10		10					
	8-2				2			
	8-13		13					
	8-200		4	2				
	9-4				4			
	9-19		19					
	9-200		4		2			
	9-201		8	2				
	10-5				5			
	10-26		26					
	10-200		12			1		
	10-201		4			2		
	10-202		8		2			
12-2				2				
12-3				3				
12-7			7					
12-37	37							
12-200	6			2				
12-201	10			2				



Series 800 "Mighty Mouse" with UN Mating Thread Hermetic Connector Dimensions 800-013-02 and 800-013-03

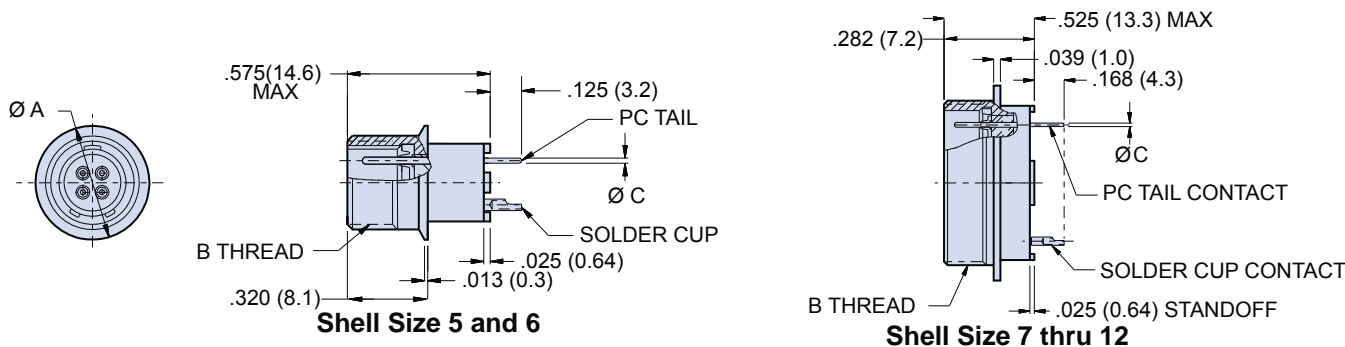
800-013-02 Square Flange Dimensions



800-013-02 SQUARE FLANGE HERMETIC RECEPTACLE DIMENSIONS

Shell Size	A SQ		B		Ø C		Ø D		E Threads Mating	Ø F PC TAIL DIA. ± .002 (0.05)
	In.	mm.	In.	mm.	In.	mm.	± .005	± 0.13		
5	.527	13.39	.363	9.22	.680	17.27	.094	2.39	.3125-28 UN-2A	Size #22
6	.588	14.92	.423	10.74	.750	19.05	.094	2.39	.3750-28 UN-2A	.020 (0.51)
7	.650	16.51	.483	12.27	.830	21.08	.130	3.30	.4375-28 UNEF-2A	Size #20
8	.710	18.03	.542	13.77	.938	23.83	.130	3.30	.5000-32 UN-2A	.026 (0.66)
9	.938	23.83	.719	18.26	1.250	31.75	.130	3.30	.5625-32 UN-2A	Size #16
10	.938	23.83	.719	18.26	1.250	31.75	.130	3.30	.6250-32 UN-2A	.062 (1.57)
12	1.031	26.19	.812	20.62	1.375	34.93	.130	3.30	.7500-28 UN-2A	Size #12
										.094 (2.34)

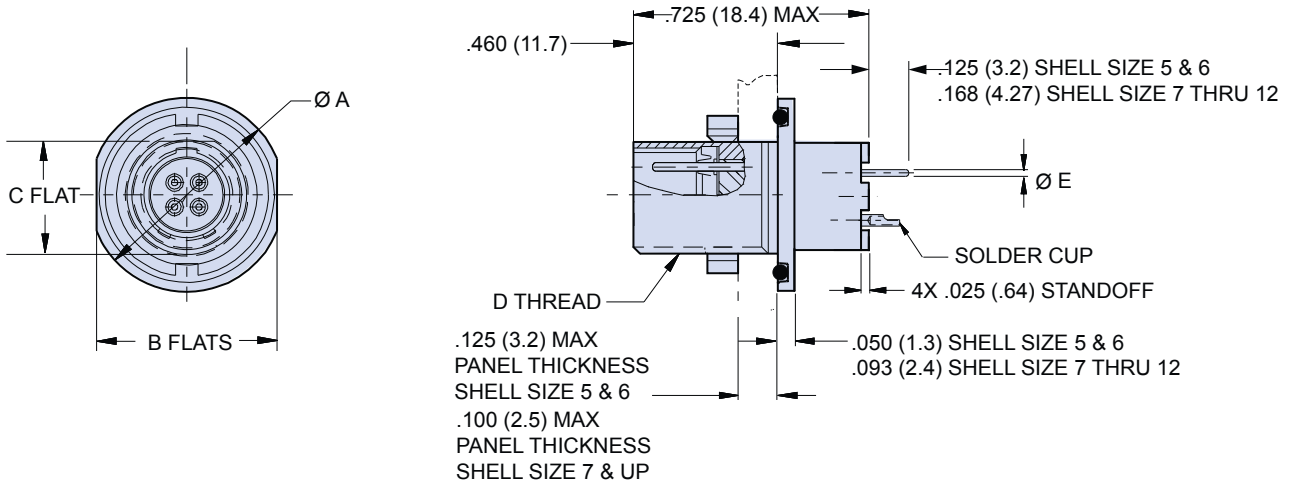
800-013-03 Solder Mount Dimensions



DIMENSIONS

Shell Size	Ø A		B Threads	Ø C PC TAIL DIA. ± .002 (0.05)
	In.	mm.		
5	.400	10.16	.3125-28 UN-2A	Size #22
6	.455	11.56	.3750-28 UN-2A	.020 (0.51)
7	.520	13.21	.4375-28 UNEF-2A	Size #20
8	.650	16.51	.5000-32 UN-2A	.026 (0.66)
9	.764	19.41	.5625-32 UN-2A	Size #16
10	.775	19.69	.6250-32 UN-2A	.062 (1.57)
12	.858	21.79	.7500-28 UN-2A	Size #12
				.094 (2.34)

Series 800 "Mighty Mouse" with UN Mating Thread Hermetic Connector Dimensions 800-013-07 Jam Nut



DIMENSIONS

Shell Size	$\varnothing A$		$\varnothing B$		C		D Threads Mating	$\varnothing E$ PC TAIL DIA. $\pm .002 (0.05)$
	In.	mm.	In.	mm.	In.	mm.		
5	.541	13.74	.500	12.70	.285	7.24	.3125-28 UN-2A	Size #22
6	.610	15.49	.562	14.27	.352	8.94	.3750-28 UN-2A	.020 (0.51)
7	.670	17.02	.635	16.13	.411	10.44	.4375-28 UNEF-2A	Size #20
8	.775	19.69	.735	18.67	.473	12.01	.5000-32 UN-2A	.026 (0.66)
9	.875	22.23	.806	20.47	.530	13.46	.5625-32 UN-2A	Size #16
10	.980	24.89	.940	23.88	.604	15.34	.6250-32 UN-2A	.062 (1.57)
12	1.062	26.97	.986	25.04	.712	18.08	.7500-28 UN-2A	Size #12 .094 (2.34)

SERIES 800 KEY POSITIONS



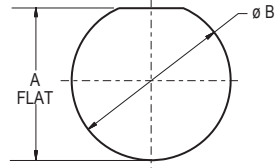
Plug

Receptacle

Key Position	Key Rotation
Normal (N)	150°
X	140°
Y	130°
Z	120°

Shell size 5 and 6: master key is located at top dead center for normal (N) position. Shell size 7 thru 12: master key is rotated 90° from TDC.

SERIES 800 PANEL CUTOUTS



Shell Size	A Flat		$\varnothing B$	
	In.	mm.	In.	mm.
5	.302 / .298	7.67 / 7.57	.318	8.08
6	.365 / .361	9.27 / 9.17	.386	9.80
7	.424 / .420	10.77 / 10.67	.449	11.40
8	.486 / .482	12.34 / 12.24	.510	12.95
9	.543 / .539	13.79 / 13.69	.574	14.58
10	.617 / .613	15.67 / 15.57	.635	16.12
12	.725 / .721	18.42 / 18.31	.760	19.30

Dimensions in inches (millimeters) and are subject to change without notice.