

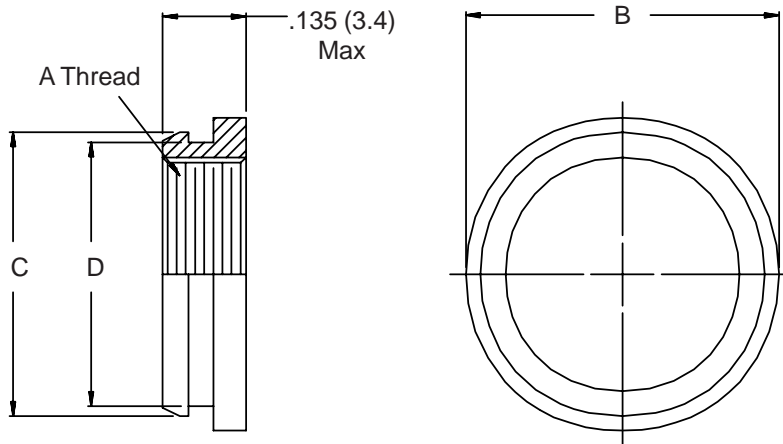
## AS85049/61 Potting Boot Ring



Potting Boot  
Rings

For MIL-C-27599  
Connectors

**M85049/61-10**  
Basic Part No. \_\_\_\_\_ Dash No. \_\_\_\_\_



**TABLE I**

Dash No.	Shell Size Ref.	A Thread UNEF-2B	B Dia Max	C Dia		D Dia	
				±.005 (.1)	±.010 (.3)		
8	8/9	.4375 - 28	.594 (15.1)	.521 (13.2)	.476 (12.1)		
10	10/11	.5625 - 24	.734 (18.6)	.647 (16.4)	.602 (15.3)		
12	12/13	.6875 - 24	.844 (21.4)	.771 (19.6)	.726 (18.4)		
14	14/15	.8125 - 20	.969 (24.6)	.897 (22.8)	.852 (21.6)		
16	16/17	.9375 - 20	1.094 (27.8)	1.023 (26.0)	.978 (24.8)		
18	18/19	1.0625 - 18	1.234 (31.3)	1.147 (29.1)	1.102 (28.0)		
20	20/21	1.1875 - 18	1.344 (34.1)	1.273 (32.3)	1.228 (31.2)		
22	22/23	1.3125 - 18	1.469 (37.3)	1.397 (35.5)	1.352 (34.3)		
24	24/25	1.4375 - 18	1.594 (40.5)	1.524 (38.7)	1.478 (37.5)		

1. For complete dimensions see applicable Military Specification.
2. Metric dimensions (mm) are indicated in parentheses.
3. Finish: 500 Hour Cadmium Olive Drab Over Electroless Nickel.
4. See page 68-11 for M85049/74 potting boot which can be used with this potting ring.