

AS85049/48-2 Rectangular Backshells



Rectangular
Backshells

Connector Interface
MIL-DTL-24308

M85049/48-2-3 F

Basic Part No. _____
Dash No. _____
Finish _____
F = Yellow Chromate over Cadmium

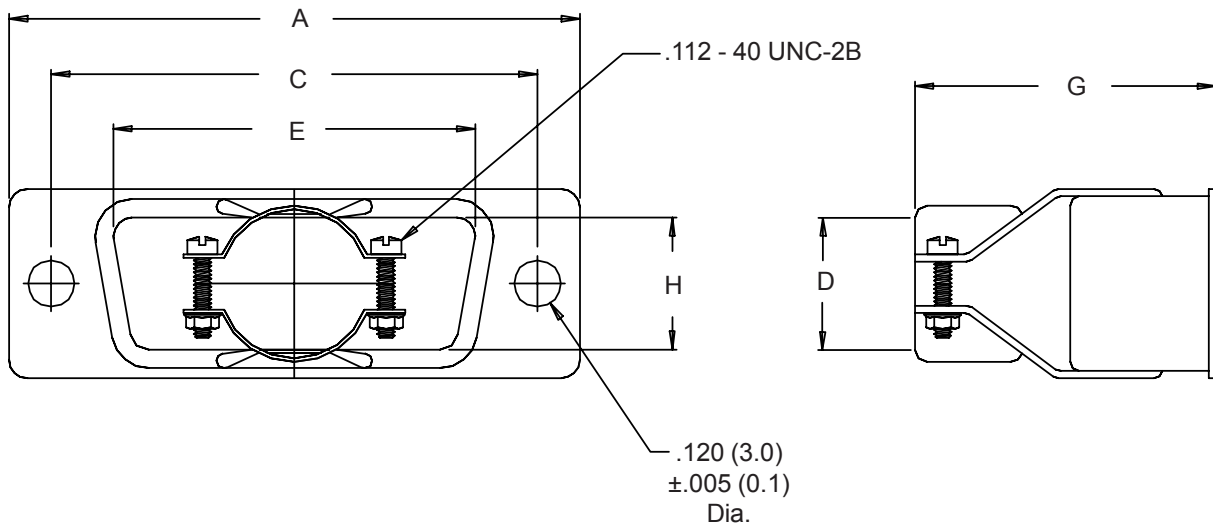


TABLE I

Dash No.	A ± .015 (0.4)	C ± .005 (.1)	D	E ± .015 (0.4)	G ± .030 (0.8)	H ± .015 (0.4)
1	1.208 (30.7)	.984 (25.0)	.406 (10.3)	.661 (16.8)	1.031 (26.2)	.344 (8.7)
2	1.531 (38.9)	1.312 (33.3)	.406 (10.3)	.984 (25.0)	1.031 (26.2)	.344 (8.7)
3	2.078 (52.8)	1.852 (47.0)	.593 (15.1)	1.515 (38.5)	1.062 (27.0)	.344 (8.7)
4	2.718 (69.0)	2.500 (63.5)	.718 (18.2)	2.171 (55.1)	1.062 (27.0)	.344 (8.7)
5	2.625 (66.7)	2.406 (61.1)	.812 (20.6)	2.093 (53.2)	1.062 (27.0)	.438 (11.1)

1. For complete dimensions see applicable Military Specification.
2. Metric dimensions (mm) are indicated in parentheses.
3. Material: Steel.