

AS85049/37 EMI/RFI Non-Environmental Backshells



EMI/RFI
Non-Env.
Backshells

Glenair Connector
Designator F

MIL-DTL-38999 Series I & II,
40M38277, PAN 6433-1,
PATT 614, PATT 616,
NFC93422 Series HE308 &
HE309

M85049/37 10 W 03 L

Basic Part No. _____
Shell Size _____
Finish _____
D = 3 Drain Holes
L = Encapsulating Hole
Clamp Size _____
N = Electroless Nickel
W = 1,000 Hr. Cadmium Olive Drab
Over Electroless Nickel

TABLE I

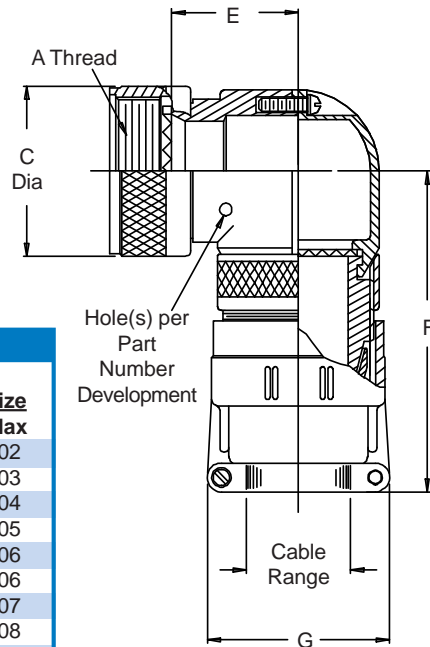
Shell Size	Series I Ref.	A Thread Class 2B	C Dia Max
8	09	.438 - 28 UNEF	.65 (16.5)
10	11	.562 - 24 UNEF	.77 (19.6)
12	13	.688 - 24 UNEF	.89 (22.6)
14	15	.813 - 20 UNEF	1.02 (25.9)
16	17	.938 - 20 UNEF	1.15 (29.2)
18	19	1.063 - 18 UNEF	1.23 (31.2)
20	21	1.188 - 18 UNEF	1.36 (34.5)
22	23	1.313 - 18 UNEF	1.48 (37.6)
24	25	1.438 - 18 UNEF	1.73 (43.9)

TABLE II

Shell Size	Series I Ref.	Shell Size		Clamp Size	
		E Max	F Max	Min	Max
8	09	.72 (18.3)	2.50 (63.5)	01	02
10	11	.72 (18.3)	2.50 (63.5)	01	03
12	13	.80 (20.3)	2.56 (65.0)	02	04
14	15	.85 (21.6)	2.69 (68.3)	02	05
16	17	.91 (23.1)	2.81 (71.4)	02	06
18	19	1.00 (25.4)	3.03 (77.0)	03	06
20	21	1.05 (26.7)	3.19 (81.0)	03	07
22	23	1.10 (27.9)	3.31 (84.1)	03	08
24	25	1.20 (30.5)	3.31 (84.1)	04	09

TABLE III

Clamp Size	Cable Range		G Max
	Min	Max	
01	.062 (1.6)	.125 (3.2)	.781 (19.8)
02	.125 (3.2)	.250 (6.4)	.969 (24.6)
03	.250 (6.4)	.375 (9.5)	1.062 (27.0)
04	.312 (7.9)	.500 (12.7)	1.156 (29.4)
05	.437 (11.1)	.625 (15.9)	1.250 (31.8)
06	.562 (14.3)	.750 (19.1)	1.375 (34.9)
07	.687 (17.4)	.875 (22.2)	1.500 (38.1)
08	.812 (20.6)	1.000 (25.4)	1.625 (41.3)
09	.937 (23.8)	1.125 (28.6)	1.750 (44.5)
10	1.062 (27.0)	1.250 (31.8)	1.875 (47.6)



1. For complete dimensions see applicable Military Specification.
2. Metric dimensions (mm) are indicated in parentheses.
3. Cable range is defined as the accommodation range for the wire bundle or cable. Dimensions shown are not intended for inspection criteria.