



## M83723/35A Non-Environmental Strain Relief Backshells

**Glenair Connector  
Designator K**

**MIL-DTL-83723 Series II**

**M83723/35A 22 A**

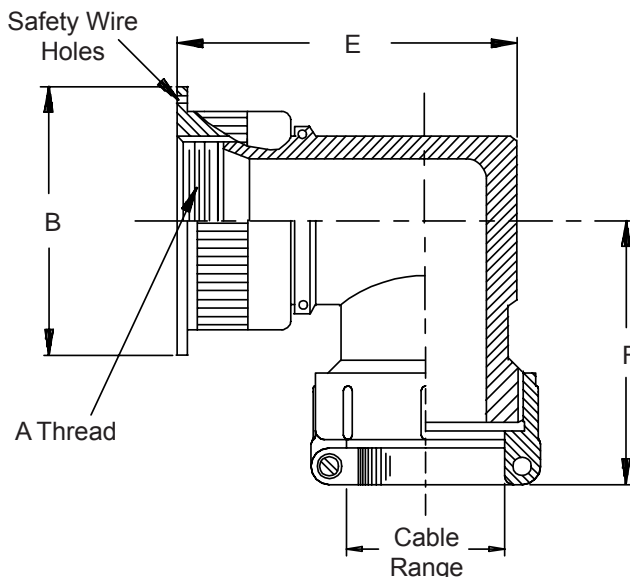
Basic Part No.

Dash No.

Finish:

A = Black Anodize

R = Electroless Nickel



**TABLE I**

Dash No.	A Thread Class 2B	B Dia Max	E Max	F Max	Cable Range	
					Min	Max
08	.438 - 28 UNEF	.805 (20.4)	1.187 (30.1)	1.220 (31.0)	.102 (2.6)	.235 (6.0)
10	.500 - 28 UNEF	.890 (22.6)	1.187 (30.1)	1.250 (31.8)	.102 (2.6)	.235 (6.0)
11	.562 - 24 UNEF	.975 (24.8)	1.312 (33.3)	1.280 (32.5)	.140 (3.6)	.297 (7.5)
13	.625 - 24 UNEF	1.005 (25.5)	1.312 (33.3)	1.280 (32.5)	.140 (3.6)	.297 (7.5)
12	.625 - 24 UNEF	1.005 (25.5)	1.468 (37.3)	1.280 (32.5)	.140 (3.6)	.297 (7.5)
15	.750 - 20 UNEF	1.130 (28.7)	1.437 (36.5)	1.405 (35.7)	.195 (5.0)	.422 (10.7)
14	.750 - 20 UNEF	1.130 (28.7)	1.594 (40.5)	1.405 (35.7)	.195 (5.0)	.422 (10.7)
17	.875 - 20 UNEF	1.255 (31.9)	1.531 (38.9)	1.529 (38.8)	.255 (6.5)	.547 (13.9)
16	.875 - 20 UNEF	1.255 (31.9)	1.687 (42.8)	1.529 (38.8)	.255 (6.5)	.547 (13.9)
18	1.000 - 20 UNEF	1.350 (34.3)	1.765 (44.8)	1.593 (40.5)	.285 (7.2)	.610 (15.5)
20	1.125 - 18 UNEF	1.475 (37.5)	2.000 (50.8)	1.655 (42.0)	.350 (8.9)	.735 (18.7)
22	1.250 - 18 UNEF	1.600 (40.6)	2.000 (50.8)	1.718 (43.6)	.350 (8.9)	.735 (18.7)
24	1.375 - 18 UNEF	1.725 (43.8)	2.265 (57.5)	1.894 (48.1)	.468 (11.9)	.922 (23.4)
28	1.625 - 18 UNEF	1.975 (50.2)	2.265 (57.5)	1.973 (50.1)	.468 (11.9)	.922 (23.4)
32	1.875 - 16 UN	2.225 (56.5)	2.578 (65.5)	2.187 (55.5)	.664 (16.9)	1.235 (31.4)
36	2.125 - 16 UN	2.475 (62.9)	2.815 (71.5)	2.405 (61.1)	.694 (17.6)	1.360 (34.5)
40	2.375 - 16 UN	2.750 (69.9)	5.800 (147.3)	5.100 (129.5)	.911 (23.1)	1.630 (41.4)

1. For complete dimensions see applicable Military Specification.
2. Metric dimensions (mm) are indicated in parentheses.
3. Cable range is defined as the accommodation range for the wire bundle or cable. Dimensions shown are not intended for inspection criteria.