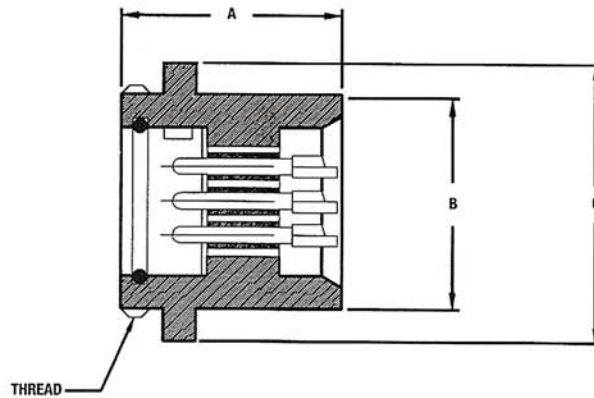


RECEPTACLE ASSEMBLY – MIL-C-24217/2 FLANGED-WELDED TYPE



AMETEK SCP PART NUMBER	MILITARY PART NUMBER	"A" DIM	"B" DIM	"C" DIM	THREAD 2A	NO. OF PINS
CR1444-1	M24217/2-001	1.62	1.12	1.50	1.250-12	3 EA. #16
CR1444-2	M24217/2-002	1.74	1.37	1.87	1.500-12	5 EA. #16
CR1444-3	M24217/2-003	1.87	1.58	2.06	1.750-12	9 EA. #16
CR1444-4	M24217/2-004	1.99	1.96	2.50	2.125-12	14 EA. #16
CR1444-5	M24217/2-005	2.12	2.34	2.87	2.500-12	24 EA. #16
CR1444-6	M24217/2-006	2.12	2.87	3.37	3.000-12	37 EA. #16
CR1444-7	M24217/2-007	2.41	3.75	4.25	3.750-12	48 EA. #16
CR1444-8	M24217/2-008	2.88	1.58	2.06	1.750-12	3 EA. #12
CR1444-9	M24217/2-009	2.88	2.00	2.37	2.125-12	5 EA. #12
CR1444-10	M24217/2-010	2.88	2.31	2.75	2.500-12	9 EA. #12
CR1444-11	M24217/2-011	2.88	2.00	2.37	2.125-12	3 EA. #8
CR1444-12	M24217/2-012	2.88	2.31	2.75	2.500-12	3 EA. #4
CR1444-13	M24217/2-013	2.88	2.31	2.75	2.500-12	3 EA. #12 3 EA. #8
CR1444-14	M24217/2-014	2.88	2.87	3.37	3.000-12	2 EA. #0 4 EA. #12

CONFIGURATIONS AVAILABLE

Please refer to page 2.16 for above configurations available on the Receptacle Assembly – MIL-C-24217/2 Flanged-Welded Type.