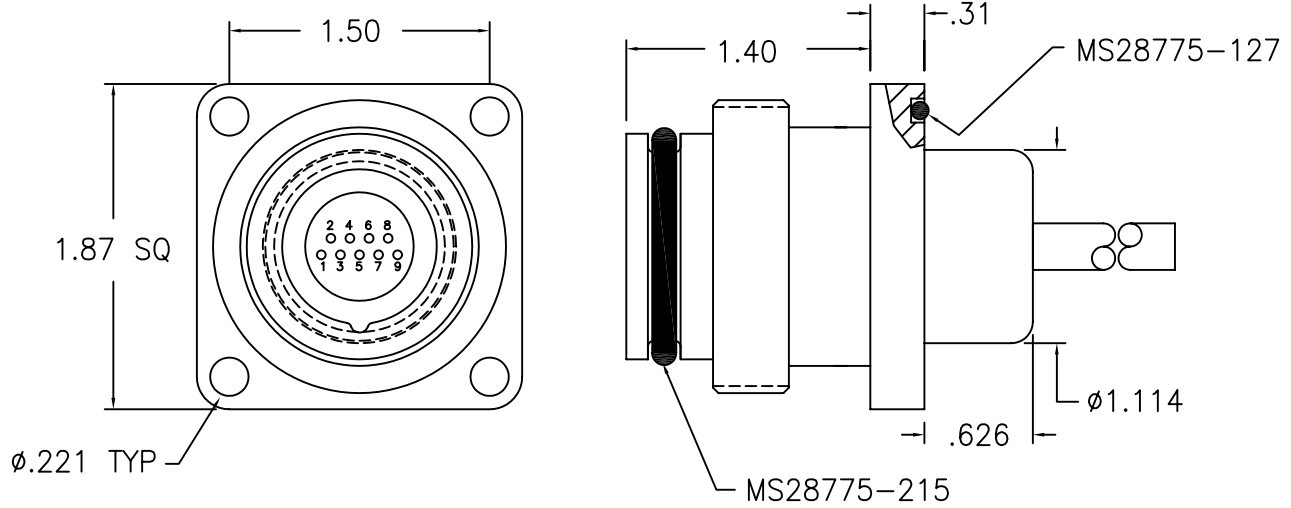


REVISIONS				
REV.	REF ECO. NO.	DESCRIPTION	DATE	APPROVED
A	N/A	REMOVE PROPRIETARY STATEMENT	3/4/09	N.R.S.



- CONNECTOR MEETS THE ELECTRICAL REQUIREMENTS OF ANSI/TIA/EIA-568-B.1 FOR CATEGORY 5E CABLING SYSTEMS AND ANSI/TIA/EIA-568-B-2-1, TRANSMISSION PERFORMANCE FOR 4 PAIR 100 OHM CATEGORY 6 CABLING.
- HYDROSTATIC PRESSURE RATING: 2000 PSIG
- CONTACT STYLE: PINS, GOLD PLATED COPPER ALLOY.
- MECHANICAL CONFIGURATION SIMILAR TO MILITARY SPECIFICATION MIL-C-24231/12.
- CONNECTOR, RECEPTACLE IS SUPPLIED PREWIRED TO CUSTOMERS CABLE TYPE AND LENGTH REQUIREMENTS.
- CONNECTOR MATERIAL OPTIONS: CORROSION RESISTANT STEEL
TITANIUM
NICKEL ALUMINUM BRONZE
MONEL
- OPERATING TEMPERATURE RANGE: -57°C TO 149°C OR AS LIMITED BY CABLE TYPE.
- MATES WITH AMETEK SCP PLUG CP5509.

AMETEK[®] SCP, Inc.

52 AIRPORT RD WESTERLY, R.I. 02891

CONNECTOR, RECEPTACLE, ETHERNET
FOR UNDERWATER ENVIRONMENT

SIZE	CAGE NO.	DWG. NO.	REV.
A	ODNZ3	CR6315	A
SCALE: 1/1	SHEET 1 OF 1		