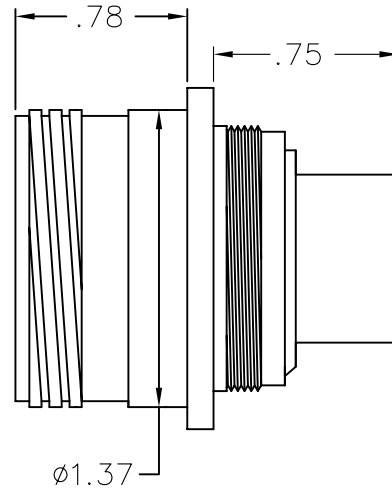
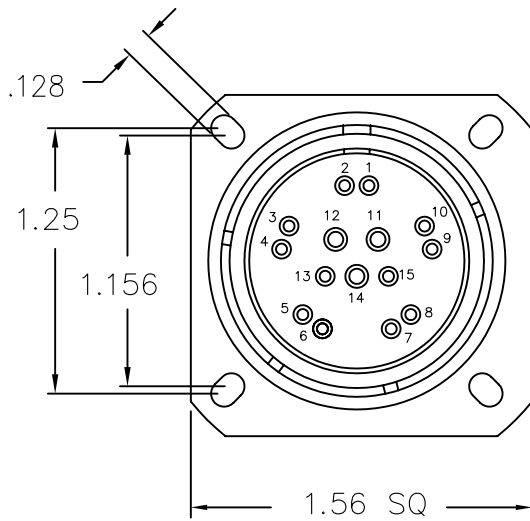


REVISIONS

REV.	REF ECO. NO.	DESCRIPTION	DATE	APPROVED
A	N/A	REMOVE PROPRIETARY STATEMENT	3/4/09	N.R.S.



- CONTACT ARRANGEMENT: ETHERNET-1 THRU 8 (20 AWG) / CONTROL CIRCUIT-9,10 (20 AWG)
POWER CIRCUIT-11,12,14 (16 AWG) / SHIELD CONTACTS-13,15 (20 AWG)
- CONNECTOR MEETS THE ELECTRICAL REQUIREMENTS OF ANSI/TIA/EIA-568-B.1 FOR CATEGORY 5E CABLING SYSTEMS AND ANSI/TIA/EIA-568-B-2-1, TRANSMISSION PERFORMANCE FOR 4 PAIR 100 OHM CATEGORY 6 CABLING.
- CONTACT STYLE IS AVAILABLE WITH PINS OR SOCKETS, GOLD PLATED COPPER ALLOY.
- MECHANICAL CONFIGURATION SIMILAR TO MILITARY SPECIFICATION D38999/20, SHELL SIZE 21, SIZE CODE G.
- CONNECTOR, RECEPTACLE IS SUPPLIED PREWIRED TO CUSTOMERS CABLE TYPE AND LENGTH REQUIREMENTS.
- CONNECTOR FINISH OPTIONS: CORROSION RESISTANT STEEL
ELECTROLESS NICKEL COATED ALUMINUM
OLIVE-DRAB CADMIUM COATED ALUMINUM
- OPERATING TEMPERATURE RANGE: -65°C TO 175°C OR AS LIMITED BY CABLE TYPE.
- MATES WITH AMETEK SCP PLUG CP6145.

AMETEK[®] SCP, Inc.

52 AIRPORT RD WESTERLY, R.I. 02891

CONNECTOR, RECEPTACLE, ETHERNET
WITH POWER AND CONTROL CIRCUIT

SIZE	CAGE NO.	DWG. NO.	REV.
A	ODNZ3	CR6144	A

SCALE: 1/1

SHEET 1 OF 1