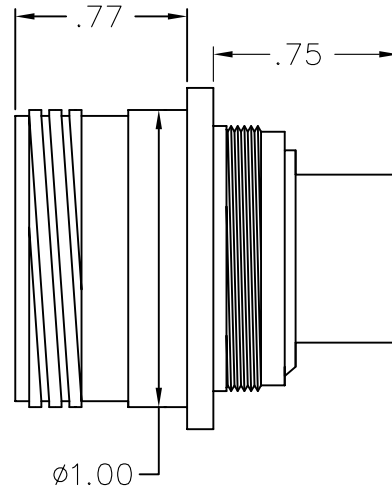
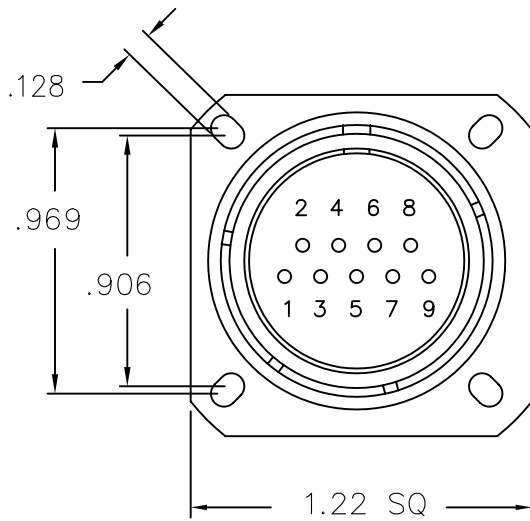


## REVISIONS

REV.	REF ECO. NO.	DESCRIPTION	DATE	APPROVED
A	N/A	REMOVE PROPRIETARY STATEMENT	3/4/09	N.R.S.



- CONNECTOR MEETS THE ELECTRICAL REQUIREMENTS OF ANSI/TIA/EIA-568-B.1 FOR CATEGORY 5E CABLING SYSTEMS AND ANSI/TIA/EIA-568-B-2-1, TRANSMISSION PERFORMANCE FOR 4 PAIR 100 OHM CATEGORY 6 CABLING.
- CONTACT STYLE IS AVAILABLE WITH PINS OR SOCKETS, GOLD PLATED COPPER ALLOY.
- MECHANICAL CONFIGURATION SIMILAR TO MILITARY SPECIFICATION D38999/20, SHELL SIZE 15, SIZE CODE D.
- CONNECTOR, RECEPTACLE IS SUPPLIED PREWIRED TO CUSTOMERS CABLE TYPE AND LENGTH REQUIREMENTS.
- CONNECTOR FINISH OPTIONS: CORROSION RESISTANT STEEL  
ELECTROLESS NICKEL COATED ALUMINUM  
OLIVE-DRAB CADMIUM COATED ALUMINUM
- OPERATING TEMPERATURE RANGE: -65°C TO 175°C OR AS LIMITED BY CABLE TYPE.
- MATES WITH AMETEK SCP PLUG CP5739.

**AMETEK<sup>®</sup> SCP, Inc.**

52 AIRPORT RD WESTERLY, R.I. 02891

CONNECTOR, RECEPTACLE, ETHERNET

SIZE	CAGE NO.	DWG. NO.	REV.
A	ODNZ3	CR5740	A

SCALE: 1/1

SHEET 1 OF 1