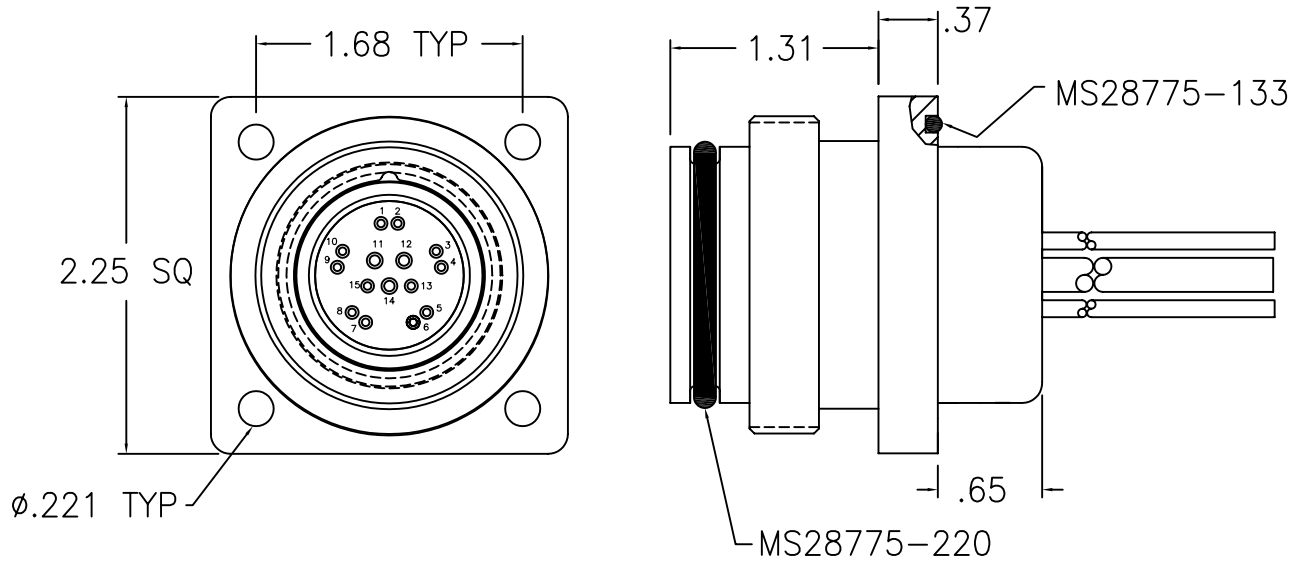


REVISIONS

| REV. | REF ECO. NO. | DESCRIPTION | DATE | APPROVED |
|------|--------------|------------------------------|--------|----------|
| A | N/A | REMOVE PROPRIETARY STATEMENT | 3/4/09 | N.R.S. |



- CONTACT ARRANGEMENT: ETHERNET-1 THRU 8 (20 AWG) / CONTROL CIRCUIT- 9,10 (20 AWG)
POWER CIRCUIT-11,12,14 (16 AWG) / SHIELD CONTACTS-13,15 (20 AWG)
- CONNECTOR MEETS THE ELECTRICAL REQUIREMENTS OF ANSI/TIA/EIA-568-B.1 FOR CATEGORY 5E CABLING SYSTEMS AND ANSI/TIA/EIA-568-B-2-1, TRANSMISSION PERFORMANCE FOR 4 PAIR 100 OHM CATEGORY 6 CABLING.
- HYDROSTATIC PRESSURE RATING: 2000 PSIG
- CONTACT STYLE: PINS, GOLD PLATED COPPER ALLOY.
- MECHANICAL CONFIGURATION SIMILAR TO MILITARY SPECIFICATION MIL-C-24231/13.
- CONNECTOR, RECEPTACLE IS SUPPLIED PREWIRED TO CUSTOMERS CABLE TYPE AND LENGTH REQUIREMENTS.
- CONNECTOR MATERIAL OPTIONS: CORROSION RESISTANT STEEL
TITANIUM
NICKEL ALUMINUM BRONZE
MONEL
- OPERATING TEMPERATURE RANGE: -57°C TO 149°C OR AS LIMITED BY CABLE TYPE.
- MATES WITH AMETEK SCP PLUG CP5639.

AMETEK® SCP, Inc.

52 AIRPORT RD WESTERLY, R.I. 02891

CONNECTOR, RECEPTACLE, ETHERNET
WITH POWER AND CONTROL CIRCUIT
FOR UNDERWATER ENVIRONMENT

| | | | |
|------------|----------|--------------|------|
| SIZE | CAGE NO. | DWG. NO. | REV. |
| A | ODNZ3 | CR5738 | A |
| SCALE: 1/1 | | SHEET 1 OF 1 | |